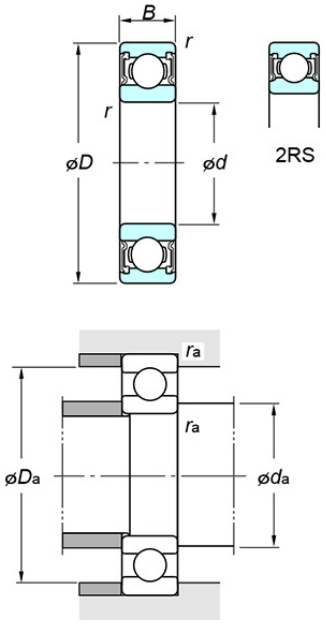


Deep groove ball bearings - Single-row - Shielded/sealed type - Contact sealed



## Bearing No. 6016 2RS

### Specifications

(Boundary dimensions ...etc)

d(mm)	80
D(mm)	125
B(mm)	22
r(min.)(mm)	1.1
Basic load ratings : Cr(kN)	59.5
Basic load ratings : C0r(kN)	39.8
Fatigue load limit : Cu(kN)	2.25
factor : f0(l)	15.6
Limiting speeds(Grease lub.)(min-1)	3100
Limiting speeds(Oil lub.)(min-1)	

### Mounting dimensions

da(min.)(mm)	86.5
da(max.)(mm)	90
Da(max.)(mm)	118.5
ra(max.)(mm)	1

### Refer.

(Refer.)Mass(kg)	0.850
------------------	-------